

KV 160 XL SILEO

Артикул **25373**

Версия: 50 Hz

Тип документа: **Технический паспорт**

Дата создания: **2016-01-29**

Создано с помощью: **Systemair Онлайн Каталог**



Описание

- Speed-controllable
- Quiet-running
- Increased efficiency
- Integral thermal contacts
- Can be installed in any position - duct or wall mounted
- Can be installed outdoors
- Maintenance-free and reliable

The KV sileo series is designed for installation in ducts. All KV-fans have minimum 25 mm long spigot connections. The FK mounting clamp facilitates easy installation and removal, and prevents the transfer of vibration to the duct. The fans have backward-curved blades and external rotor motors. KV sileo fans can be speed-controlled via a stepless thyristor or a 5-step transformer.

To protect the motor from overheating the fan has integral thermal contacts with manual reset.

The casing is manufactured from galvanised sheet steel and folded which gives the fan a close to air tight casing, wet room applications of the fan are possible due to the air tight casing.

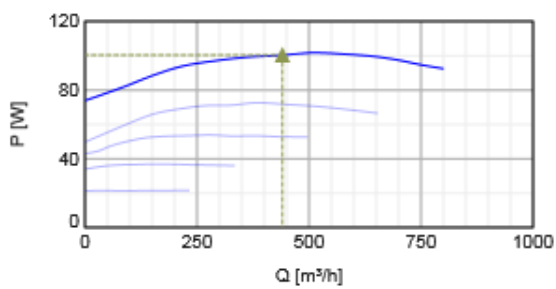
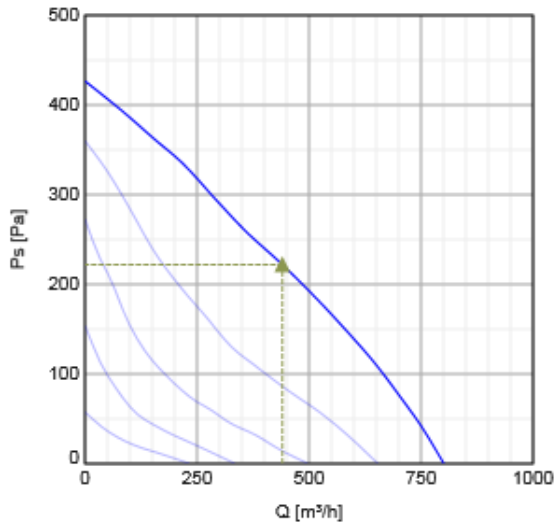


Технические данные

Номинальные параметры		
Напряжение	230	В
Частота	50	Гц
Фазность	1	~
Входная мощность (P1)	102	Вт
Ток	0,446	А
Макс. расход воздуха	799	м³/ч
Частота вращения	2532	1/мин
Максимальная температура перемещаемого воздуха	70	°С
Максимальная температура перемещаемого воздуха при регулировании	70	°С
Уровень звукового давления на расстоянии 3м (20м² Сэбин)	45,1	дБ(А)
Вес	3,8	кг
Класс изоляции	F	
Класс защиты двигателя	44	IP
Емкость конденсатора	2,5	мкФ
ErP		
Energy class, basic unit	E	
Energy class, basic unit option	B	
ErP ready	2016, 2018	

Характеристики

Диаграммы



Гидравлические данные

	Рабочая точка						
	Q [м³/ч]	Ps [Па]	P [Вт]	n [1/мин]	I [А]	SFP [кВт/м³/с]	U [В]
Макс. эффективнос	▲ 440	▲ 222	▲ 100	2535	0.441	0.82	230

Акустические данные

Уровень звук. мощности	63	125	250	500	1k	2k	4k	8k	Общ.
Вход									
Выход									
К окружению									

Размеры

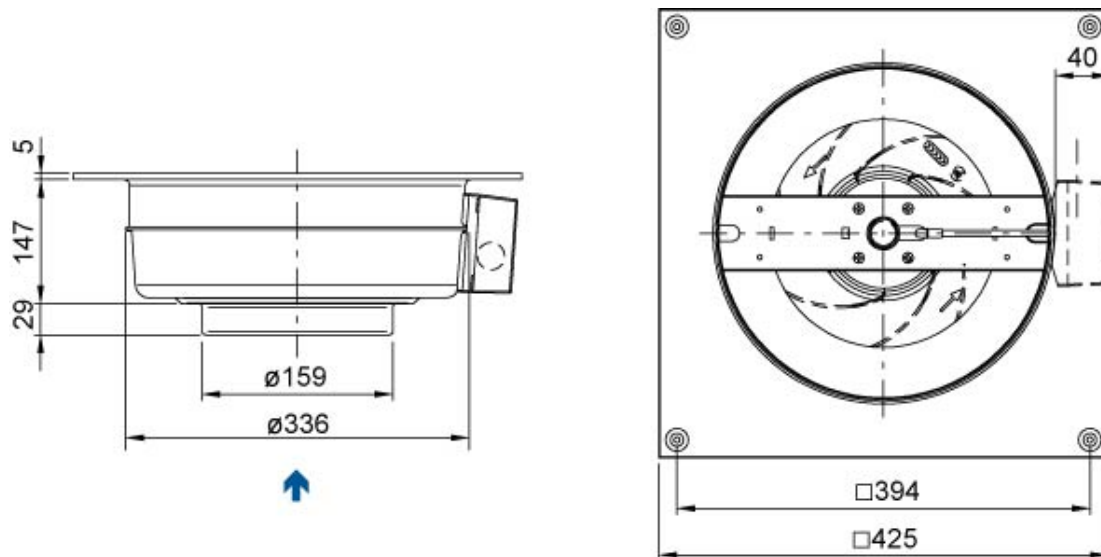
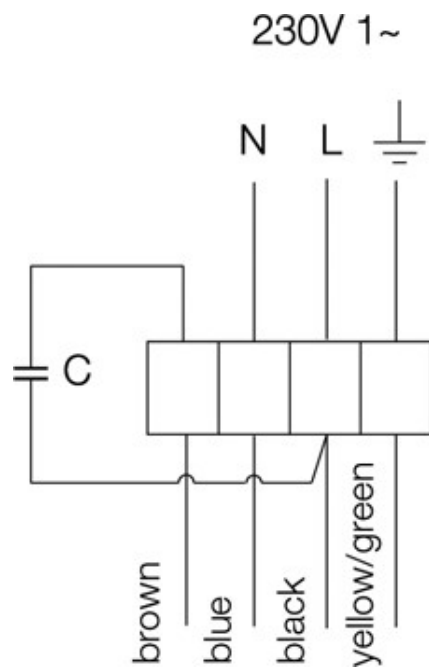


Схема подключения



Принадлежности

Электрические принадлежности


- CO2RT-R-D Transmitter (6993)
- Presence detector/IR24-P (6995)
- REV-3POL/03 ON/OFF (33978)
- REE 1 Speed control (5314)
- RT 0-30 Room Thermostat (5151)
- DTV500-OEM incl connection kit (5044)
- HR1 Room Humidistat IP21 (5150)
- T 120 Timer (5165)
- REPT 6 Digital regulator (5698)
- REU 1.5 Speed control (5004)
- RE 1,5 Speed control (5000)

Принадлежности

- VBC 160-2 Water heating batt (5458)
- VBC 160-3 Water heating batt (9840)
- RSK-160 Back draft damper (5601)
- SG 160 Protection guard (5608)
- VK-35 Louvre shutter (5642)
- LDC 160-600 Silencer (5192)
- LDC 160-900 Silencer (5193)
- CBM 160-2,1 230V/1 Duct heater (5482)
- CWK 160-3-2,5 Duct cooler, circ (30022)

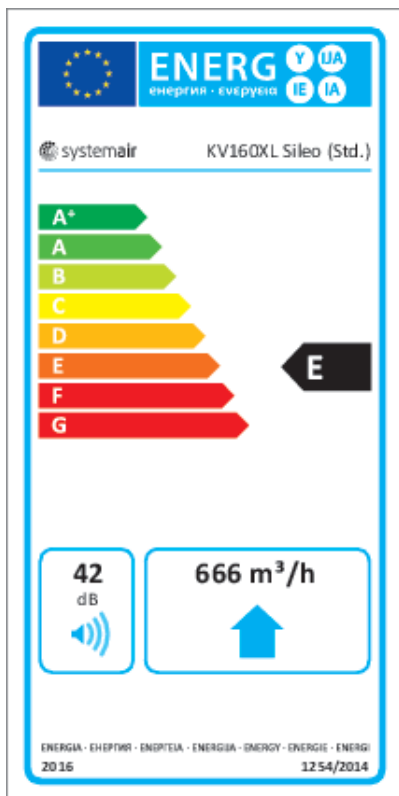
FFR 160 Filter cassette (1770)
IGK-160 Wall Grid (1632)
FK 160 Fast clamp (1610)
FGR 160 Filter cassette G3 (1809)
VKK-160 Back draft damper (1625)

Документация

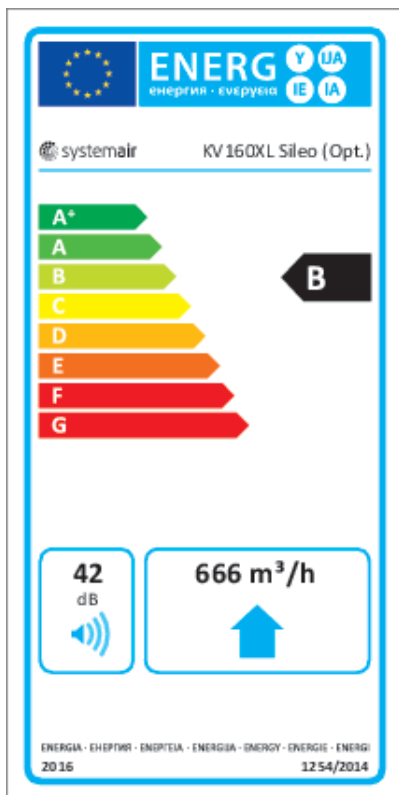
 202341_Fans_Instructions_CE_A004.pdf (1,68MB)

Energy class label

Energy class, basic unit



Energy class, basic unit option



Eco design

Basic unit	
Trade name	Systemair
Product name	KV 160 XL Sileo
ErP compliance	2016
SEC Average	-12,8 kWh/(m².a)
SEC Cold	-29,2 kWh/(m².a)
SEC Warm	-3,43 kWh/(m².a)
SEC Class	E
Unit category	RVU
Unit type	UVU
Drive	External MSD or VSD
Heat recovery type	None
Temperature ratio (UVU)	Not applicable
qv max	666 m³/ч
P max	98 Вт
Звуковая мощность	42 дБ(A)
qv ref	466 m³/ч
Ps ref	50 Па
SPI	0,138 кВт/м³/с
CTRL	1 -
MISC	1,1 -
x-value	1,5 -
External Leakage	5 %

AEC average	173	kWh
AEC cold	173	kWh
AEC warm	173	kWh
AHS Average	1715	kWh/a
AHS Cold	3355	kWh/a
AHS Warm	776	kWh/a

Units with local demand control

Trade name	Systemair	
Product name	KV 160 XL Sileo	
ErP compliance	2018	
SEC Average	-26	kWh/ (m ² .a)
SEC Cold	-53,1	kWh/ (m ² .a)
SEC Warm	-10,5	kWh/ (m ² .a)
SEC Class	B	
Unit category	RVU	
Unit type	UVU	
Drive	External MSD or VSD	
Heat recovery type	None	
Temperature ratio (UVU)	Not applicable	
qv max	666	м ³ /ч
P max	98	Вт
Звуковая мощность	42	дБ(А)
qv ref	466	м ³ /ч
Ps ref	50	Па
SPI	0,138	кВт/м ³ /с
CTRL	0,65	-
MISC	1,1	-
x-value	1,5	-
External Leakage	5	%
AEC average	90,6	kWh
AEC cold	90,6	kWh
AEC warm	90,6	kWh
AHS Average	2830	kWh/a
AHS Cold	5536	kWh/a
AHS Warm	1280	kWh/a

Specification text

KV 160XL TW Circular duct fan
DN160, 230V50Hz, 1-, imp. backw. curved

Circular duct fan for wall mounting, easy and direct installation in ducts.
Galvanized sheet steel housing.
Circular connection spigot, length 25mm, acc. to EN1506:1997

Free-running, backward curved centrifugal impeller made of plastic.
Balancing made to G 6.3, motor compl. with impeller statically and dynamically balanced in two planes acc. to DIN ISO 1940 T.1.

Voltage controllable external rotor motor, maintenance-free, the motor is placed inside the air flow for cooling. Integral thermal contacts with manual reset acc. to EN 60335-2-80, speed-controlled via a 5-step transformer or a stepless thyristor. Silent, long-life ball bearings. Terminal box (IP55) on the casing.

Mounting brackets included in delivery.

For indoor, outdoor installation as well as in wet areas.

Air leakage class C acc. to EN 12237:2003.

Installation in any mounting position.

PRODUCT: SYSTEMAIR

TYPE: KV 160XL TW

Item no. 1214