

# KBR 280D2 THERMO FAN

Артикул **31556**

Document type: **Технический паспорт**  
 Document date: **2016-03-25**  
 Generated by: **Systemair Онлайн Каталог**

## Описание

- Max temperature of transported air 120°C
- Speed-controllable via frequency converter
- Integral cold conductor (PTC)
- Low sound level
- Standard motor outside the air stream
- Easy to maintain and reliable

The KBR fans have impellers manufactured from galvanised steel with backward-curved blades and external rotor motors. The KBR casing is manufactured from doubleskinned galvanised sheet steel and is insulated with 50 mm mineral wool.

The KBR fans have a swing-out door for easy inspection and service. The direction of the door opening can easily be changed from left to right at site. The fan is isolated from the casing via connectors and anti-vibration dampers are incorporated into the base frame.

To protect the motors from overheating the KBR fans have Integral cold conductor (PTC) with external leads for connection to a motor protection device.

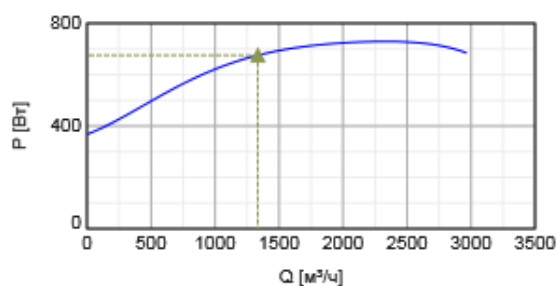
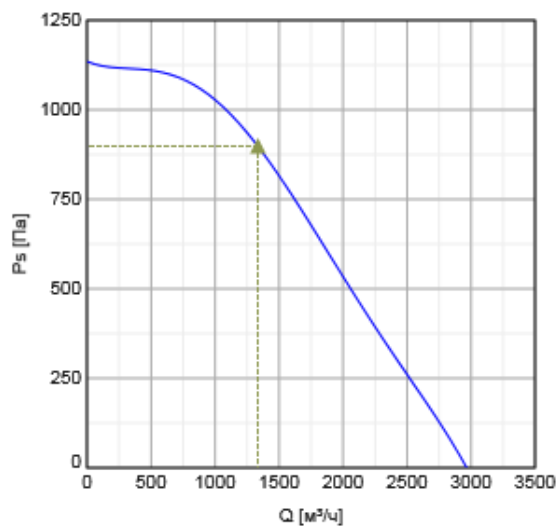


## Технические данные

Напряжение	400 В
Подключение двигателя	Y
Частота	50 Гц
Фазность	3 ~
Входная мощность (P1)	730 Вт
Ток	1,25 А
Пусковой ток	11,4 А
Макс. расход воздуха	2966 м³/ч
Частота вращения	2820 1/мин
Максимальная температура перемещаемого воздуха	120 °С
Уровень звукового давления на расстоянии 4м (свободный объем)	44 дБ(А)
Уровень звукового давления на расстоянии 10м (свободный объем)	36 дБ(А)
Вес	54 кг
Класс изоляции	F
Класс защиты двигателя	55 IP

## Характеристики

### Диаграммы



#### Гидравлические данные

	Рабочая точка						
	Q [м³/ч]	Ps [Па]	P [Вт]	n [1/мин]	I [А]	SFP [кВт/м³/с]	U [В]
Макс. эффективно	▲ 1334	▲ 898	▲ 676	2833	1,19	1,82	400

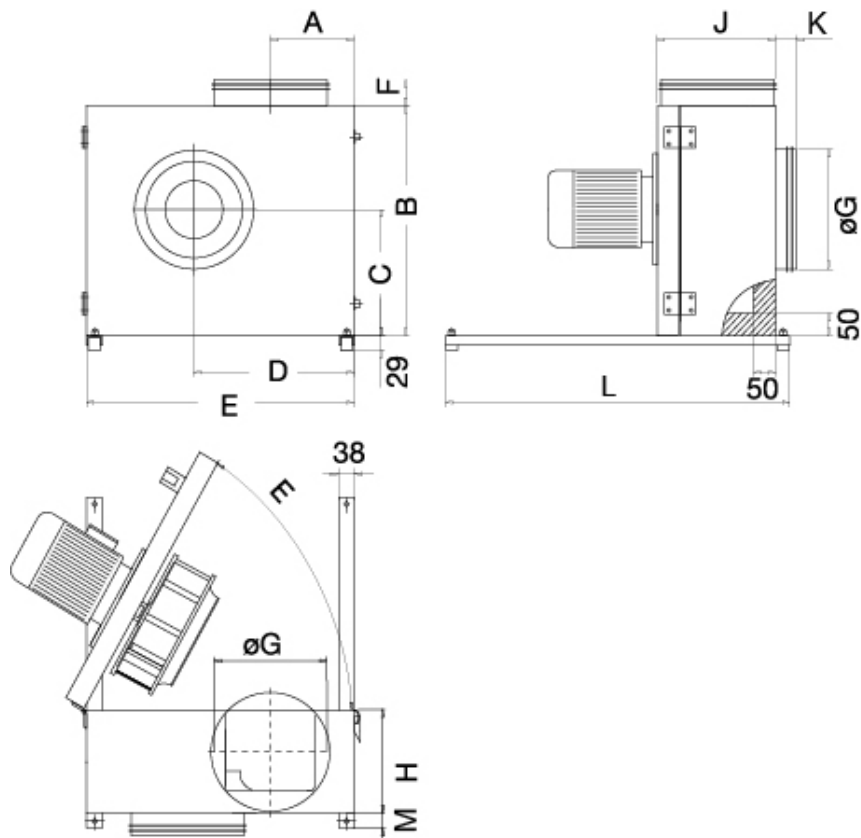
#### Шумовые характеристики

Mid-frequency band, Hz

	Hz	Tot	125	250	500	1k	2k	4k	8k
LwA Inlet	dB(A)	86	80	78	74	71	69	65	61
LwA Outlet	dB(A)	88	82	80	76	73	71	67	61
LwA Surrounding	dB(A)	67	61	59	55	52	50	46	42

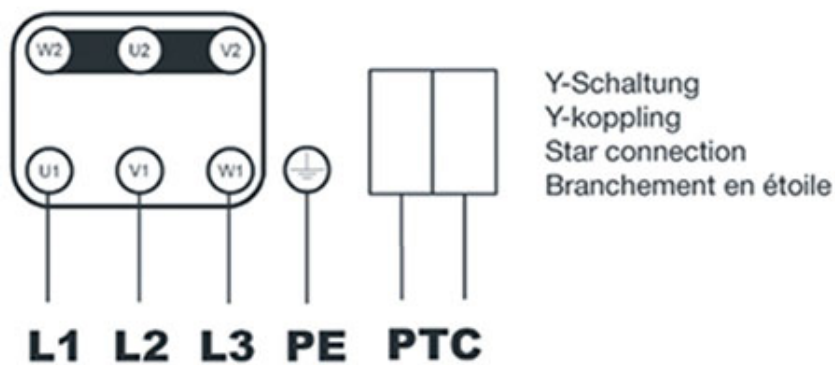
Measuring point: qv =  
0,42 m³/s, Ps = 800 Pa

#### Размеры



	A	B	C	D	E	F	øG	H	J	K	L	M
KBR 280	171,5	537	295	360	625	125	280	234	291	70	620	55
KBR 315	187,5	600	339	398	690	125	315	249	307	70	770	55
KBR 355	206,7	655	372	451	770	125	355	273	331	70	770	55

## Схема подключения



## Принадлежности

### Электрические принадлежности


- REV-5POL/05 ON/OFF (33979)
- FRQ-4A V2 (36227)
- FRQ5-4A+LED V2 (36229)
- FRQS-4A V2 (36231)
- FRQ5S-4A+LED V2 (36233)

### Принадлежности

- ALS-KBT drain plug (2727)
- ASF 280/KB Flex. connection (2717)
- WBK 225/280 Wall bracket (2720)
- WSD KBT-2 Weather roof f.motor (2729)

## Документация

 EC-declaration of conformity AxZent-KBT-KBR-MUB-K-MUB-T-DVV\_DE-EN.pdf (103,14kB)

 Operating and maintenance instructions\_2010-07.pdf.pdf (488,24kB)

## Д.С.П.

 Manufacturers Certificate.pdf (51,93kB)

### Specification text

Kitchen exhaust fan for medium temperatures up to 120 °C in continuous operation, reliable, swing-out service door incl. motor section, motor outside air flow.

Casing made of double-skinned galvanised steel sheet, insulated with 50 mm rock wool, non-combustible according to A1 DIN 4102. Swing-out door for easy inspection and service of impeller and motor, completely swing out to the outside. Door hinge interchangeable, left/right.

Backward curved centrifugal impeller made of aluminium. Impeller acc. to VDI 2060, balancing quality Q 6.3, dynamically balanced in two planes acc. to ISO 1940 T1.

Internal rotor motor, frequency inverter control, standard motor IEC, outside the air flow. Integral thermal contacts with leads to a motor protection device.

Suction and discharge sided duct connection with rubber-lip seal. Top discharge.  
With protection plate to avoid grease or oil leakage.

Low sound level.

Indoor installation, outdoor installation with weather roof (WSD).

Delivery with mounting rails and rubber vibration dampers.